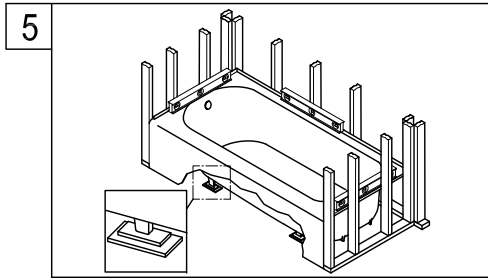
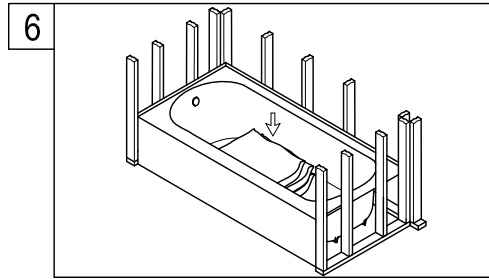


KINGSTON BRASS

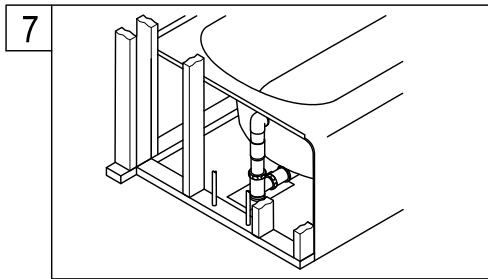
THE TRADITION OF FINE BRASS



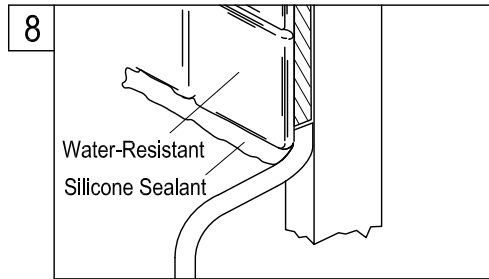
5. Move tub into place, make sure the tub is level and plumb adjust feet or shim as necessary



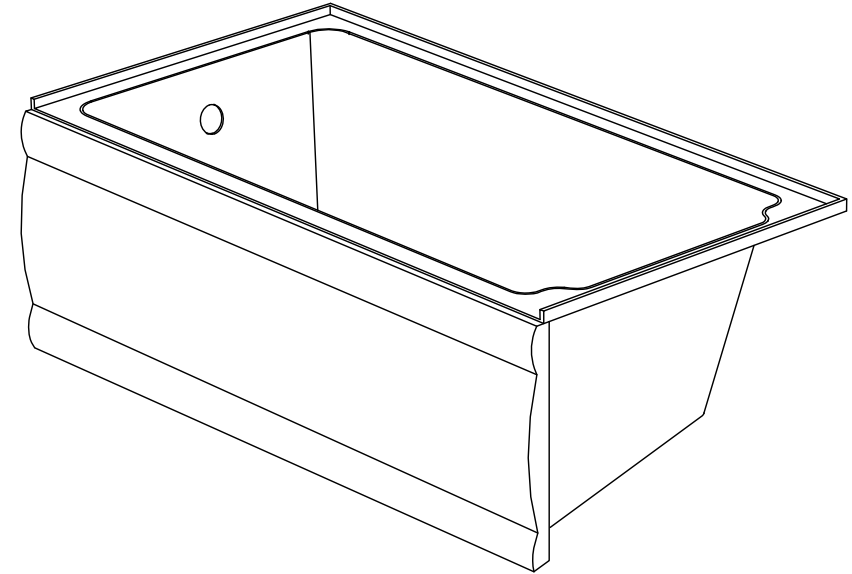
6. Secure to the wall with galvanized screws at the predrilled screw location, apply weight to the middle of the tub until the mortar sets.



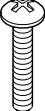
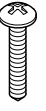
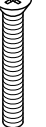


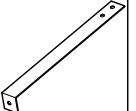
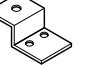
7. Connect the tub drain to your drain system.



8. Install water resistant gypsum board and finish surface material (tile, stone) and seal all edges with silicone caulking to prevent water damage.



Parts:

Screw ST6x20	Screw ST4x14	Screw M6x35	Gasket Ø 18	Gasket Ø 9	Iron support	Connector
						
2 Pcs	12 Pcs	5 Pcs	2 Pcs	2 Pcs	2 Pcs	5 Pcs

Cleaning

Clean with a damp cloth only.
Avoid using metal or abrasive polishes.

www.kingstonbrass.com

TOLL-FREE CUSTOMER SERVICE: 1-877-2-KBRASS

TECHNICAL SUPPORT E-mail: service@kingstonbrass.com

12775 Reservoir Street, Chino, CA91710

KINGSTON BRASS

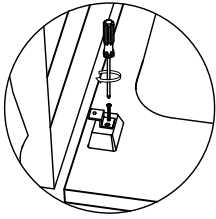
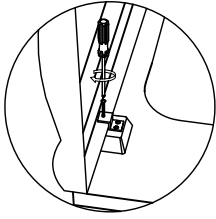
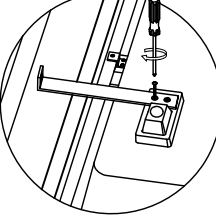
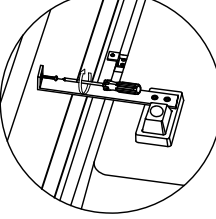
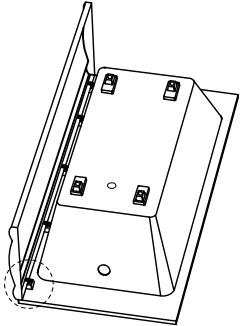
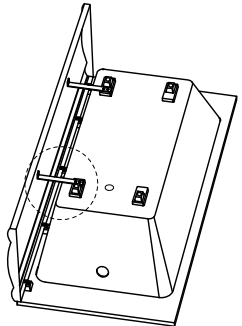
THE TRADITION OF FINE BRASS

INSTALLATION INSTRUCTIONS

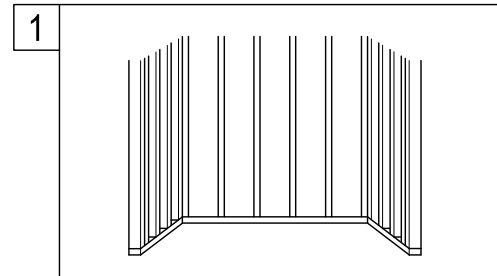
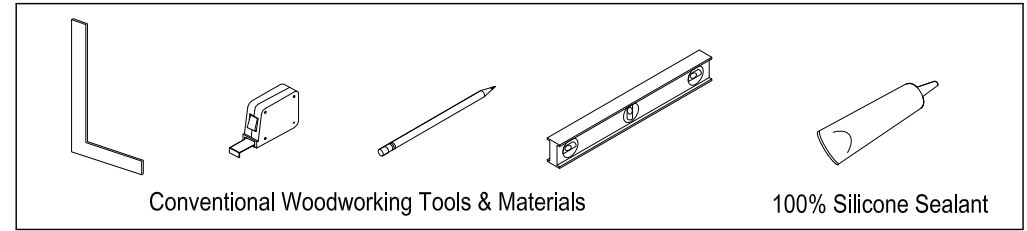
For Use With KB's Bath Tub with or without Drain

Important points to remember before beginning installation:

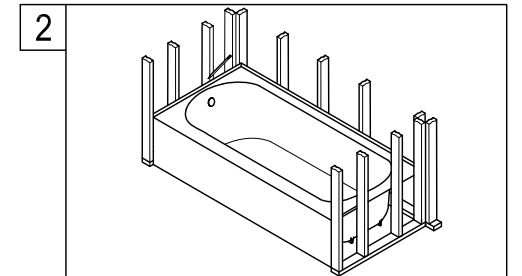
- Verify that floor is structurally sound and level, floor must be able to support the full load of the tub including water to the overflow level.
- Provide access to all plumbing connections
- Observe all local building and plumbing codes

1		<p>Before assembly, open the box and check for any missing or damaged parts. If the product has been damaged or has missing parts, please contact the supplier.</p> <ol style="list-style-type: none"> 1. To assemble the tub, flip the tub unit over so the rim sits firmly on the ground. 2. Locate the apron and position on the rim with the help of another person. The bracket side with 2 holes will be attached to the tub unit using the provided screws (ST4*14) and the apron will be secured to the bracket using the blunt screws (M6*35). Repeat until all connector brackets have been securely installed. 3. When all 5 connector brackets have been installed. Complete the assembly by installing the iron support rods to the tub body. 4. First position the iron support rods, then place a gasket over each hole and will be attached to the tub unit using the provided screws (ST6*20) and the apron will be secured to the bracket using the blunt screws (ST4*14).
2		
3		
4		
		
		

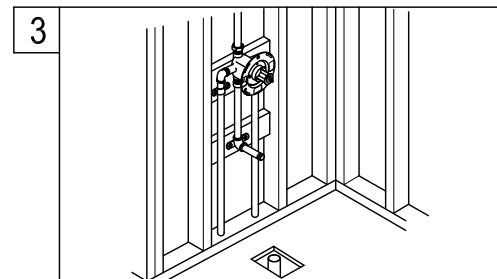
Need Tools:



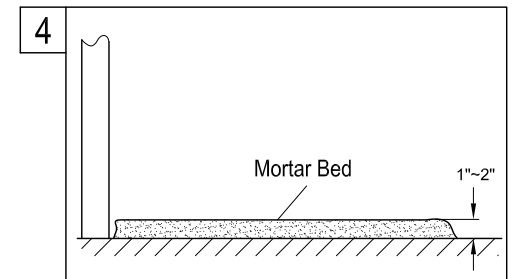
1. Prepare area by framing the area where the tub will be installed.



2. Place the tub at the location where the tub will be installed, level tub on all sides and mark the location of the drain and the wall studs on the tile flange.



3. Remove tub and install the drain, predrill holes on tile flange at the marked location of the studs.



4. Apply a thin layer (1" to 2") of mortar mix cement to the area where your tub basin will be sitting.